

Wiring Instructions for Lasernet Sign Controller

Part No. SIGN-CTRL-OR12

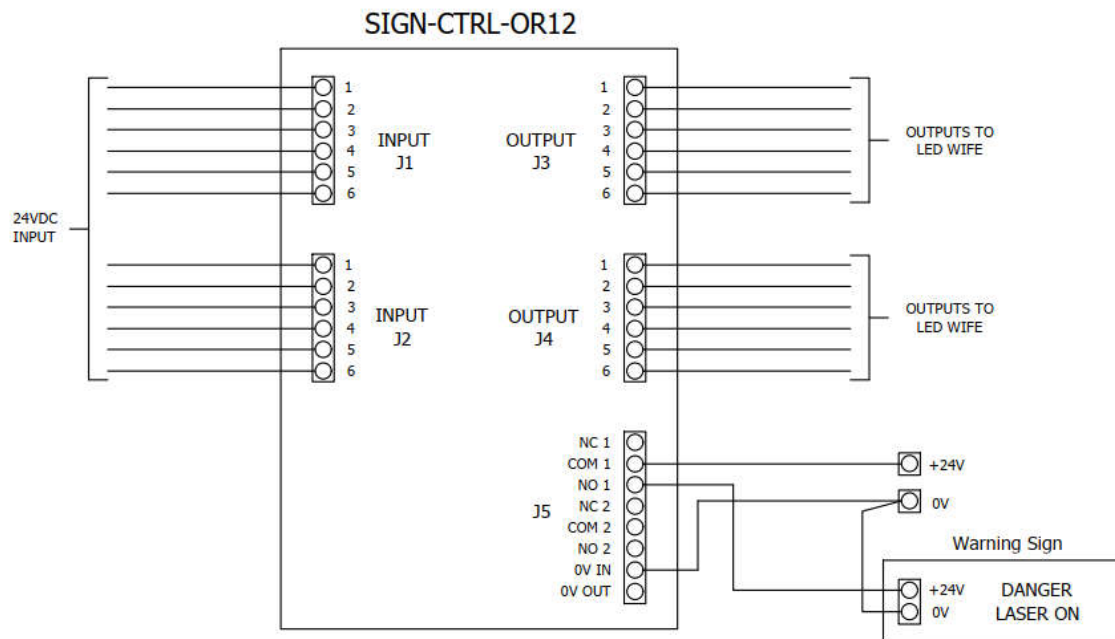
Lasernet's Sign Controller is a 12-input 'OR' gate.

Lasernet provides a full range of laser interlock equipment including control systems, interlock switches, illuminated warning signs, laser shutters, door locks, external power supplies etc. which can be connected to provide a complete laser interlock system. Full support, design and installation is available from Lasernet, please contact us for any queries.

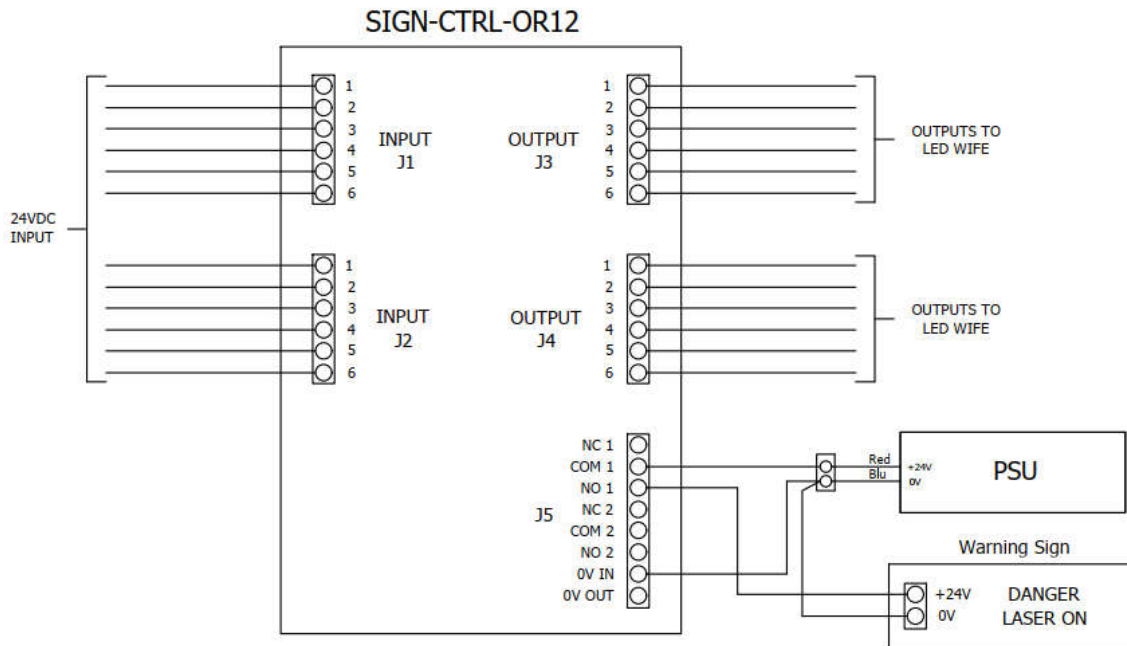
Wiring Details

Be sure you know which configuration you require before you attempt to wire the unit. If you require further assistance, please call Lasernet technical help.

Standard Wiring Example:



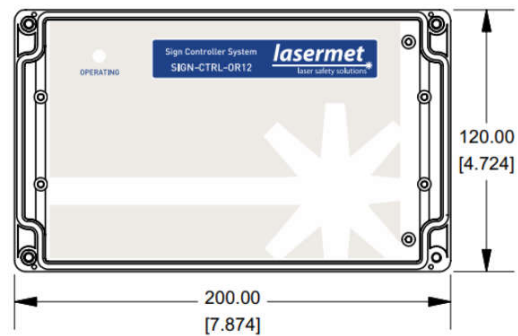
Wiring for Sign Controller driven by a power supply unit:



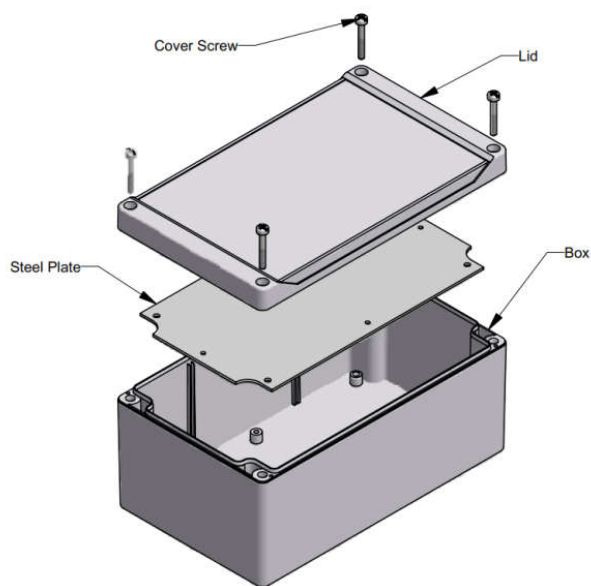
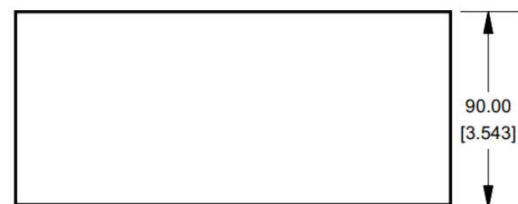
Specifications

Voltage Rating	24VDC
Power Consumption	700mA
Output Contact Rating	6A (max)

Top view



Side view



Dimensions are approximate. Values given as 'typical' are average values measured across a number of samples and are not guaranteed. Lasermet reserve the right to alter any specification without prior notice.

For sales and technical support:

Lasermet Ltd.

Lasermet House,
137 Hankinson Road,
Bournemouth
BH9 1HR
United Kingdom.

Tel: +44 (0) 1202 770740

Fax: +44 (0) 1202 770730

Email: sales@lasermet.com

Website: www.lasermet.com