

Keyswitch Key operated switch 1NO

Part no. KEYSWIT

Specifications

Part no.	KEYSWIT
Colour of base of enclosure	RAL 7035 light grey
Colour of cover	RAL 7016 dark grey
Material	Polycarbonate
Operators Description	Key switch "O-I" 1NO
Contact Operation	Slow-break
Cable Entry	2 knock-outs for Pg 13 cable gland and ISO M20 Clamping Capacity: 12mm



Product Weight	0.187 kg
Resistance to high pressure Washer	7000000 Pa at 55°C, distance: 0.1m
Operator Position	2 positions
Key number	455
Key withdrawal Position	Left-hand
Positive Opening	Without
Operating Travel	4.3mm total travel
Torque Value	0.14 Nm (NO changing electrical state)
Mechanical Durability	1000000 cycles

Connections - Terminals	Screw clamp terminals: $\leq 2 \times 1.5\text{mm}^2$ with cable end to EN IEC 60947-1
Screw Clamp Terminals	$\geq 1 \times 0.22\text{mm}^2$ without cable end to EN IEC 60947-1
Tightening Torque	0.8 - 1.2 Nm to EN IEC 60947-1
Contacts Material	Silver alloy (Ag/Ni)

Short-circuit Protection	10A by gG cartridge fuse conforming to EN IEC 60947-5-1
---------------------------------	---

[Ith] Conventional Free Air Thermal Current	1A conforming to EN IEC 60947-5-1
---	-----------------------------------

[Ui] Rated insulation voltage	600V (degree of pollution: 3) conforming to EN IEC 60947-1
-------------------------------	--

[Uimp] rated Impulse Withstand Voltage	6kV conforming to EN IEC 60947-1
--	----------------------------------

[Ie] rated Operational Current	conforming to EN IEC 60947-5-1 AC-15, A600: $U_e = 120\text{V}$ $I_e = 6\text{A}$ AC-15, A600: $U_e = 240\text{V}$ $I_e = 3\text{A}$ AC-15, A600: $U_e = 600\text{V}$ $I_e = 1.2\text{A}$ DC-13, Q600: $U_e = 125\text{V}$ $I_e = 0.55\text{A}$ DC-13, Q600: $U_e = 250\text{V}$ $I_e = 0.27\text{A}$
--------------------------------	--

Keyswitch Key operated switch 1NO

Part no. KEYSWIT

Unit fitted with:	Dimension c	
	(mm)	(in)
Flush Pushbutton	62	2.44
Pilot Light	64	2.52
Illuminated Pushbutton	65.5	2.58
Projecting Pushbutton	66	2.60
Selector Switch	80	3.15
Mushroom-head Pushbutton	91.5	3.58
Latching Mushroom-head		
E-Stop Pushbutton with Key	115	4.53
Key Switch	105.5	4.15

Electrical Durability

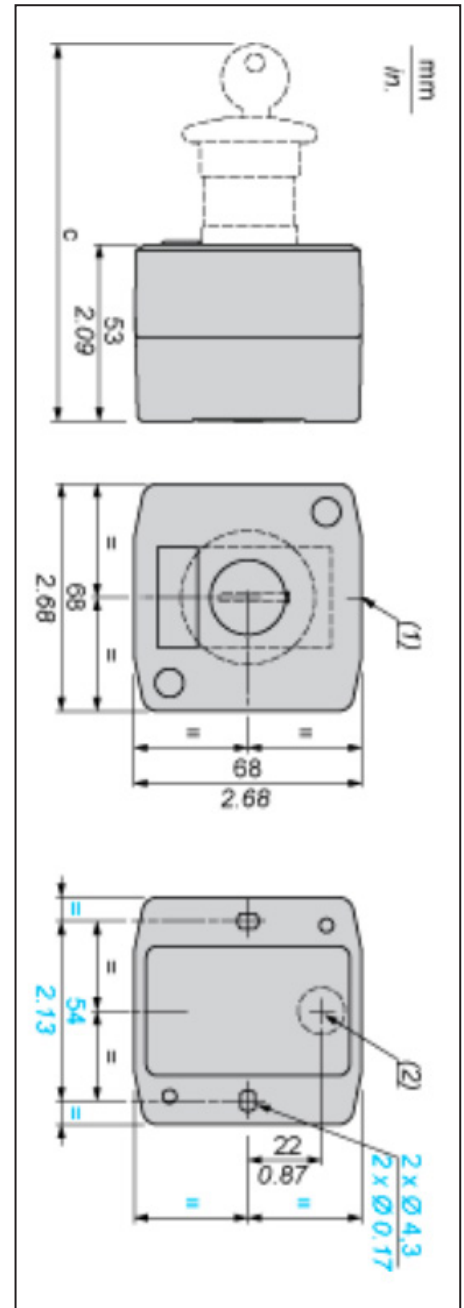
Operating Rate ≤ 3600 cyc/h
 Load Factor 0.5
 conforming to EN IEC 60947-5-1 Appendix C
 1000000 cycles AC-15, 2A at 230V
 1000000 cycles AC-15, 3A at 120V
 1000000 cycles AC-15, 4A at 24V
 1000000 cycles DC-13, 0.2A at 110V
 1000000 cycles DC-13, 0.5A at 24V

Electrical Reliability

$\Lambda < 10\text{exp}(-6)$ at 5V, 1mA
 conforming to EN IEC 60947-5-4
 $\Lambda < 10\text{exp}(-8)$ at 17V, 5mA
 conforming to EN IEC 60947-5-4

Environment

Protective Treatment TH
 Ambient Air Temperature -40 to 70 °C
 Overvoltage Category Class II conforming to IEC 60536
 IP Degree of Protection IP 69
 IP 67
 IP 66 conforming to IEC 60536
 IP 69K
 NEMA Degree of Protection NEMA 13
 NEMA 4X
 IK Degree of Protection Standards IK 03 conforming to EN 50102
 EN IEC 60947-1, EN IEC 60947-5-1
 EN IEC 60947-5-4, EN IEC 60947-5-5
 JIS C 4520, UL 508, CSA C22.2 No 14
 Vibration Resistance 5 gn (12 - 500Hz) conforming to IEC 60068-2-6
 Shock Resistance 30 gn (18ms duration) for half sinewave acceleration conforming to IEC 60068-2-27
 50 gn (11ms duration) for half sinewave acceleration conforming to IEC 60068-2-27



Dimensions

- (1) 2 knock-outs for Pg 13 cable gland, max capacity 12mm/0.47in
- (2) Knock-out for cable entry, max capacity 14mm/0.55in

