

Monitored Maglock

Part no. MAGLOCK

Suitable for internal doors, this maglock has an aluminium finish and it is monitored so that the status of the door locking mechanism can be confirmed.

When the maglock is energised and the door is closed the onboard relay is closed and a green LED illuminates.

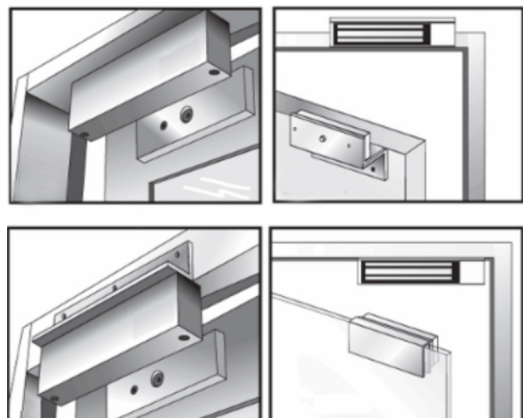
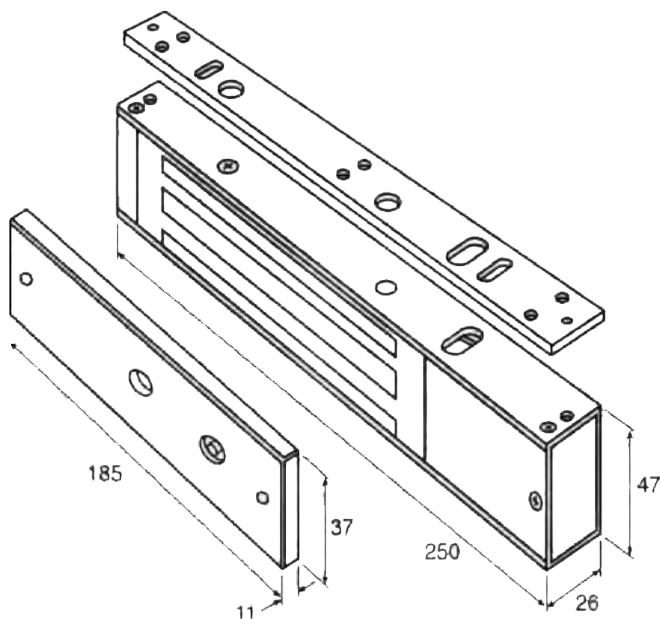
When the maglock is energised and the door is NOT closed the onboard relay is open and a red LED illuminates.



Specifications	
Dimensions	
Magnet	47mm x 250mm x 26mm
Armature	11mm x 185mm x 37mm
Nominal Holding Force Up to 272Kg (600lbs) per lock	
Supply Voltage 12 or 24VDC	
Nominal Current	500mA @ 12VDC 250mA @ 24VDC



Typical Installation



Alternative Installations