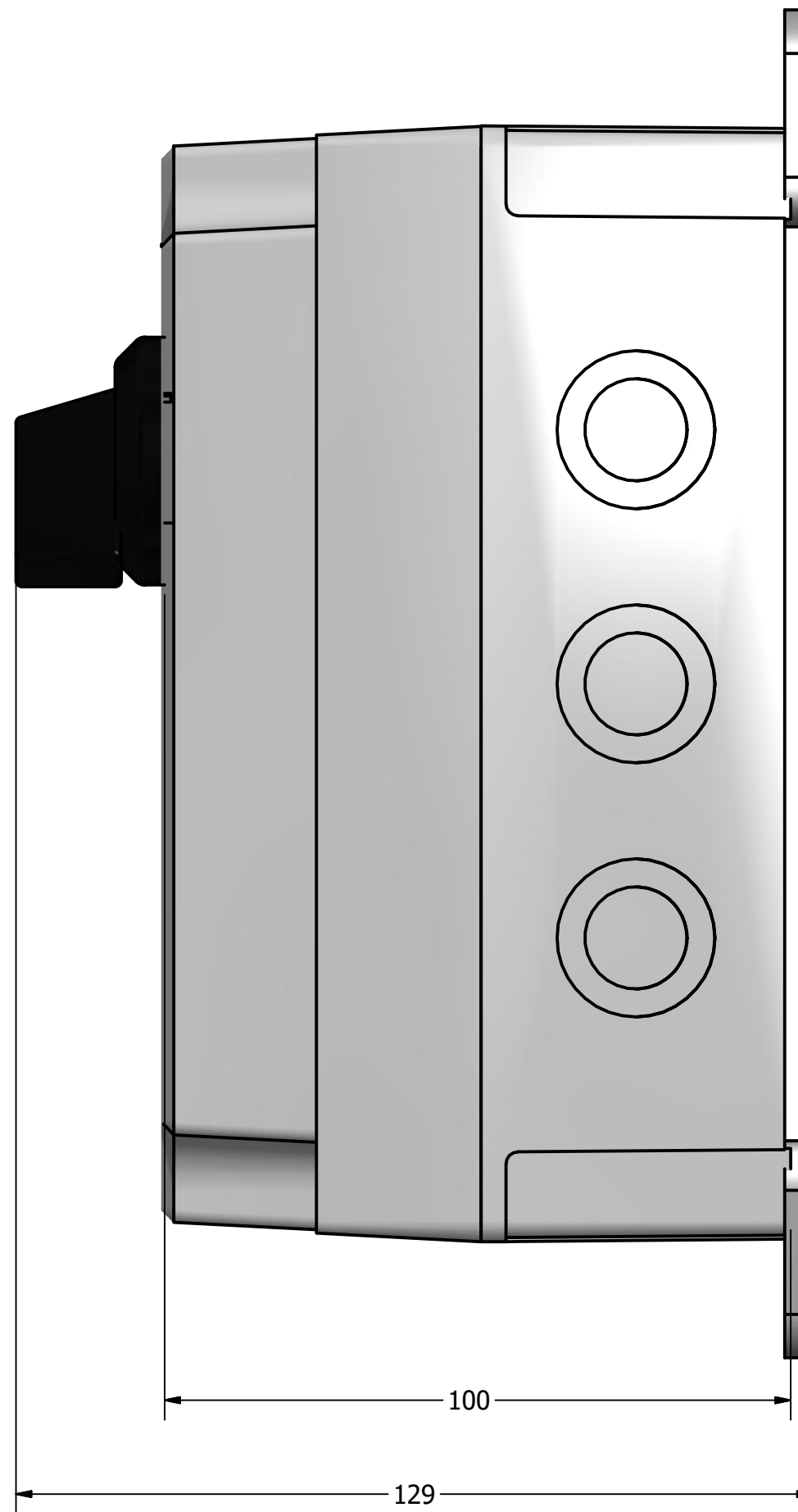
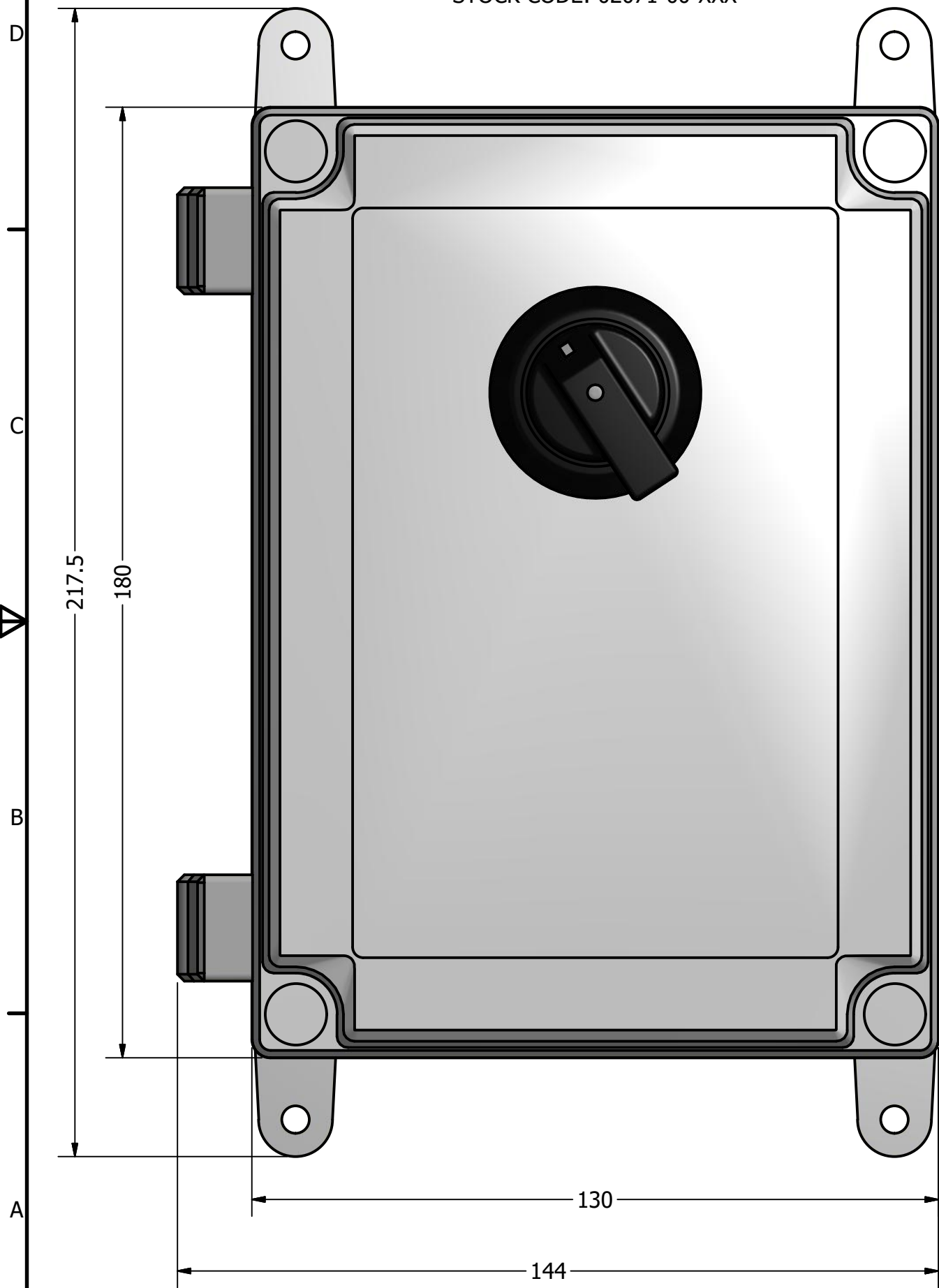


REVISION HISTORY				
REV	ZONE	DESCRIPTION	APPROVED	DATE
A	N/A	FIRST DRAFT	CR	26/07/2017

STOCK CODE: 02071-00-XXX



**DRAWING APPROVED
FOR CONSTRUCTION**

APPROVER: A. Tyerman
 DATE: 02/08/2017

DRAWN BY: C. Robertson	DATE: 20/07/2017	MATERIAL: AS PER PART
CHECKED BY: C. Robertson	DATE: 02/08/2017	AS PER PART
APPROVED BY: P. Tozer	DATE: 02/08/2017	FINISH: AS PER PART
TOLERANCES: ± 1		
SCALE: 1:1	EDGES TO BE BROKEN	
ALL DIMS IN MM	IF IN DOUBT ASK	

Lasernet Ltd. All rights reserved. No liability is accepted for errors or omissions. No part of this document may be reproduced, used or disclosed without written permission of Lasernet Ltd.



DESCRIPTION: Multi Pole, Multi Position Switch		
PROJECT/REF No: Stock Item	SHEET SIZE: A3	MASS: N/A
DRAWING No: 02071-01-001	REV: 1	SHEET: 1 of 5