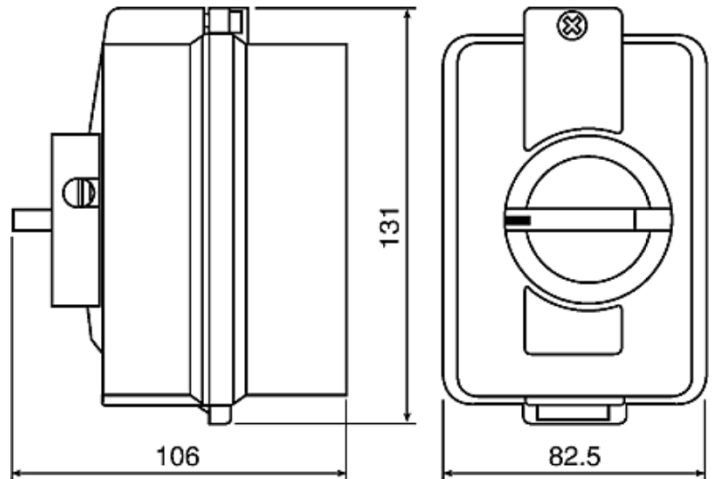


3-Pole Isolator Switch

32A, 15kW, IP 65



Specifications

Operational Voltage	690VAC
Rated Impulse withstand Voltage	8kV
Conventional enclosed Thermal Current	32A
Operational Current	29A AC at 400VAC - 23A
Operational Power	15kW at 400VAC - 23A
Making Capacity (Irms)	400A at 400VAC - 23A
Short-circuit making Capacity	1kA at 400V at I _{peak}
Short-time withstand Irms	480A at 400V during 1s
Conditional Short-circuit Current	10kA at 400V
Breaking Capacity	320A at 400VAC - 23A
Handle Front Plate Dimension	60 x 60mm
Height	146mm
Width	90mm
Depth	131mm
Weight	0.5kg
Ambient Working Temperature	-20°C to +50°C

Conformance

Environmental Standard	IEC 60204
Certifications	CSA, GL, UL
IP Rating	IP 65 to IEC 60529

lasermet
laser safety solutions*